



**PREMIER BUILDING
PRODUCTS Ltd**

PBP MS-SG-02-ISSUE-1-1 (INSTALLATION STORAGE GUIDE)

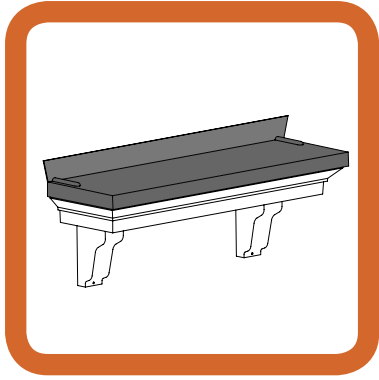
GUIDE

2021

PREMIERBUILDINGPRODUCTS.CO.UK

+44 (0)1428 654781

enquiries@pbp.uk.com

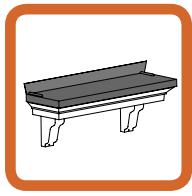


SITE GUIDE

GRP CANOPIES



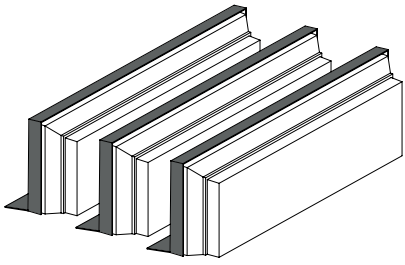
PREMIER BUILDING
PRODUCTS Ltd



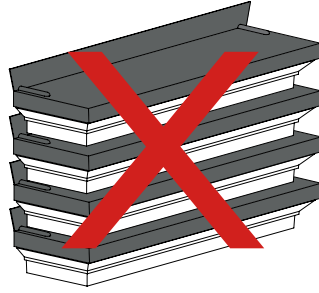
GRP CANOPIES

MS-SG-02 | ISSUE 1
AUGUST 2018

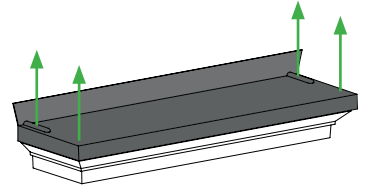
STORAGE & HANDLING



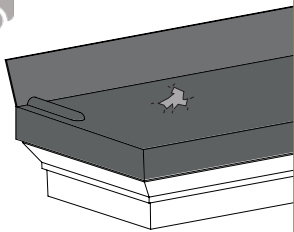
Store products flat with fixing face down



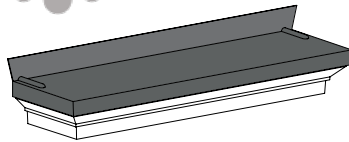
Do not stack products



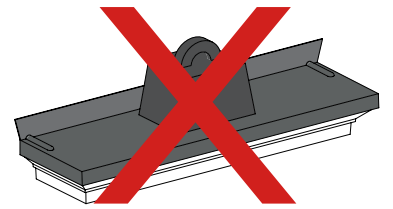
Lift and support products with an evenly distributed force



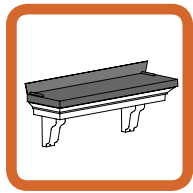
Report damage at point of delivery



Protect internal components from the elements



Do not store other products on top



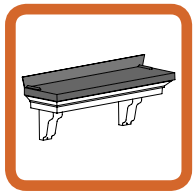
FIXING RECOMMENDATIONS

PRODUCT	DIMENSIONS		RECOMMENDED FIXINGS	FIXING INSTRUCTIONS
	WIDTH	PROJECTION		
FLAT GRP CANOPY With Kneelers	6000 mm Max.	750 mm Max.	GRP Flashing to wall with Fischer 10-60 SXR-FUS with grey cover caps. Kneelers to wall with 1 x 125mm screw into wall plug . Cover cap to match kneeler colour.	Fixings into flashing at 450mm centres. Fixing position of kneeler dictated by pre drilled hole.
FLAT GRP CANOPY Modern	2000 mm Max.	600 mm Max.	GRP Flashing to wall with Fischer 10-100 SXR-FUS with grey cover caps.	Fixings into flashing at 450mm centres.
FLAT GRP CANOPY Modern With Internal Bracket	6000 mm Max.	750 mm Max.	Metal Brackets to wall with Fischer 10-100 SXR-FUS. GRP Flashing to wall with Fischer 10-60 SXR-FUS with grey cover caps.	Fixings and brackets at 450mm centres. LARGER CANOPIES REQUIRE SPECIALIST CALCULATIONS
APEX CANOPY Tile Effect Roof	3000 mm Max.	750 mm Max.	GRP Flashing to wall with Fischer 10-60 SXR-FUS with grey cover caps.	Fixings into flashing at 450mm centres.
APEX CANOPY Ready to Tile Roof	3000 mm Max.	750 mm Max.	GRP Flashing to wall with Fischer 10-100 SXR-FUS with grey cover caps.	Fixings into flashing at 450mm centres.
MONO PITCH CANOPY GRP Tile Roof	6000 mm Max.	750 mm Max.	GRP Flashing to wall with Fischer 10-100 SXR-FUS with grey cover caps.	Fixings into flashing at 450mm centres.
MONO PITCH CANOPY Ready to Tile Roof	6000 mm Max.	750 mm Max.	Timber frame to wall with Fischer 10-100 SXR-FUS.	Timber trusses at 600mm centres. Fixings into flashing at 450mm centres.
WALL BRACKETS	Size dependant on projection		Bracket to wall with Fischer 10-100 SXR-FUS with cover caps to match bracket colour. Bracket to Canopy 5mm diameter wood screw.	

NOTES

It is the sole responsibility of the client and installer to ensure all products are installed as per Masonry Solutions Installation Instructions. These instructions are meant as a guide and the client is accountable for ensuring the fixings are compatible with the wall or roof construction and site location.

The designer must take into consideration the structural integrity of the wall/roof that the Masonry Solutions product is being fixed to prior to the installation.

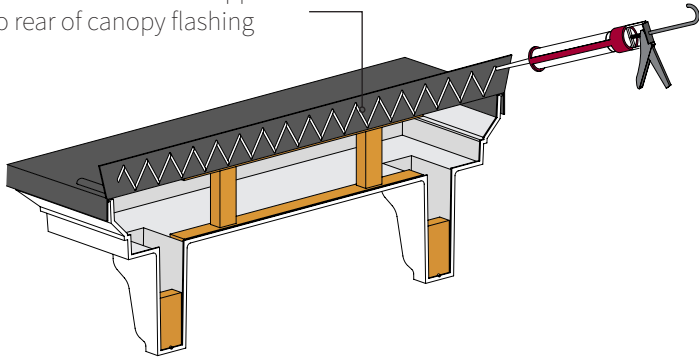


GRP CANOPIES

MS-SG-02 | ISSUE 1
AUGUST 2018

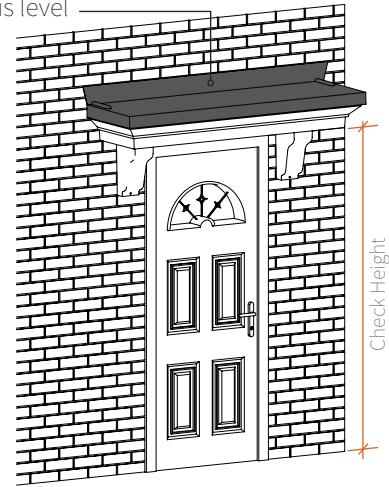
O1 Flat Top Canopy With Kneelers

Silicone mastic bead applied to rear of canopy flashing



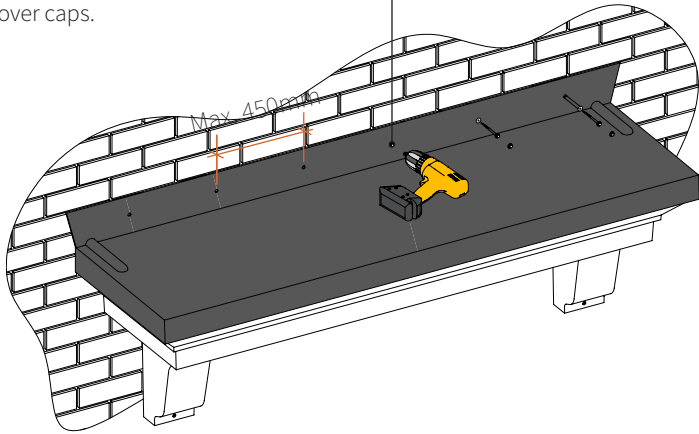
1.1 Prepare Canopy

Ensure canopy is level



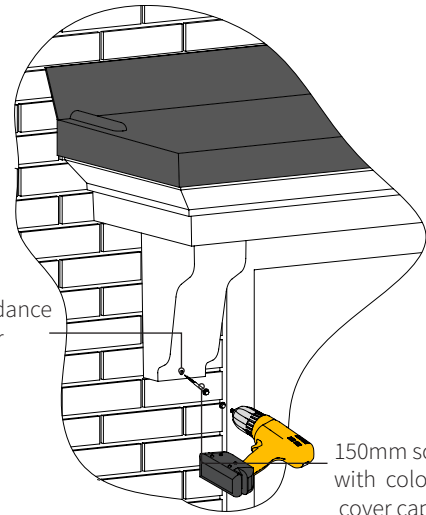
1.2 Position Canopy

Fischer 10-60 SXR-FUS with grey cover caps.



1.3 Fix top flashing

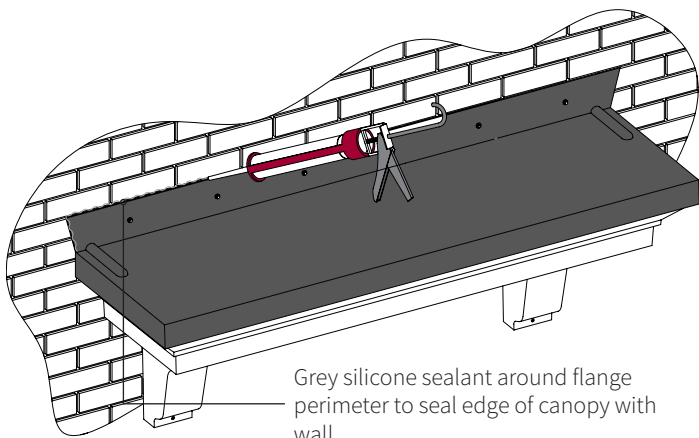
Pre drilled guidance hole in Kneeler



150mm screw into wall plug with colour matching cover caps.

1.4 Fix Kneelers

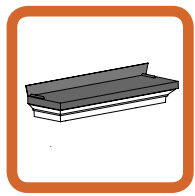
Grey silicone sealant around flange perimeter to seal edge of canopy with wall



1.5 Making the canopy weather tight



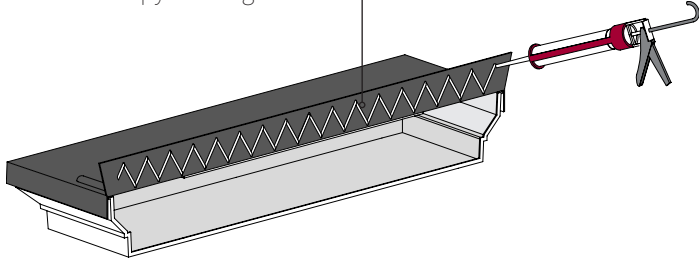
**THE DOOR CANOPY MUST BE
INSTALLED BY A COMPETENT
INSTALLER**



GRP CANOPIES

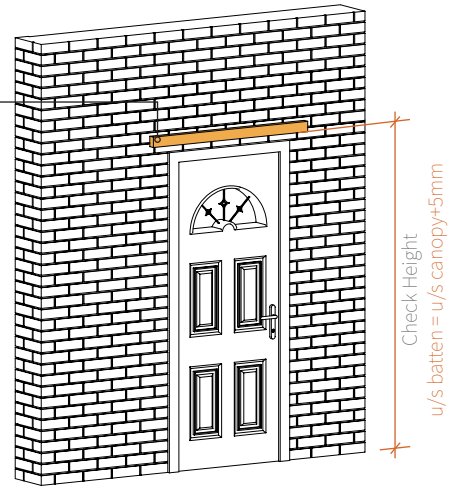
02 Flat Top Canopy - Modern

Silicone mastic bead applied to rear of canopy flashing



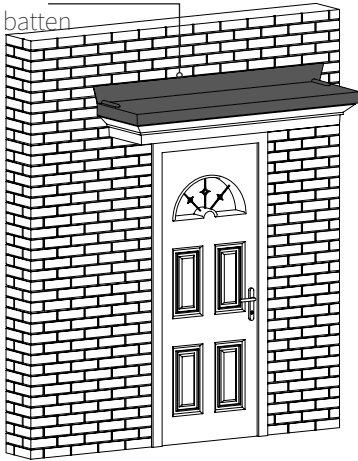
2.1 Prepare Canopy

50x75mm batten (not supplied) fixed to wall with min. 100mm screws into wall plugs (not supplied) at 600mm centres



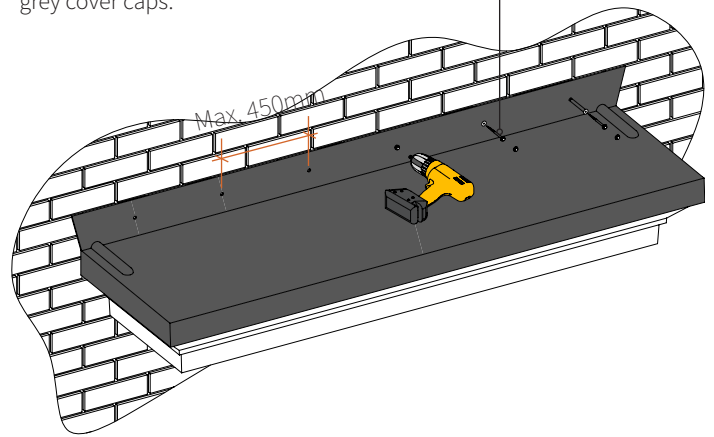
2.2 Prepare the wall

Ensure canopy is level with u/s flush with batten



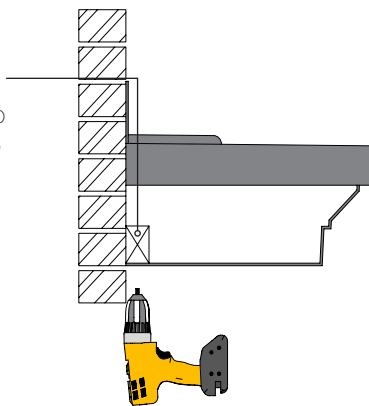
2.3 Position the canopy

Fischer 10-100 SXR-FUS with grey cover caps.



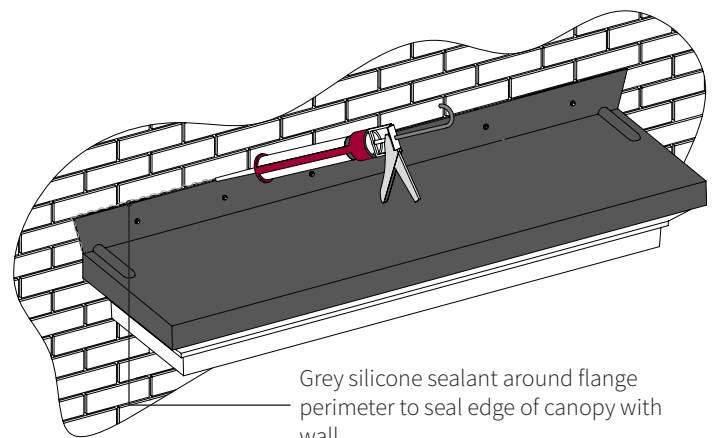
2.4 Fixing the canopy

50mm screws fixed through u/s of canopy at 450mm centres into timber batten. All screws to be fixed through one piece cover caps.

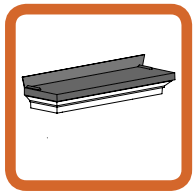


2.5 Fixing the underside of the canopy

Grey silicone sealant around flange perimeter to seal edge of canopy with wall

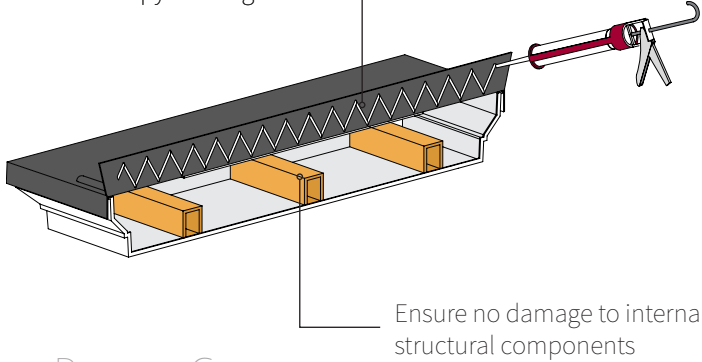


2.6 Making the canopy weather tight



03 Flat Top Canopy - Modern with Internal Brackets

Silicone mastic bead applied to rear of canopy flashing

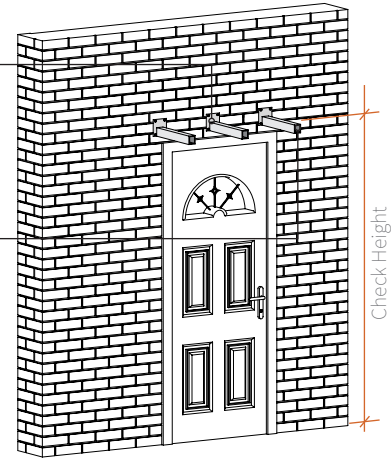


3.1 Prepare Canopy

Ensure no damage to internal structural components

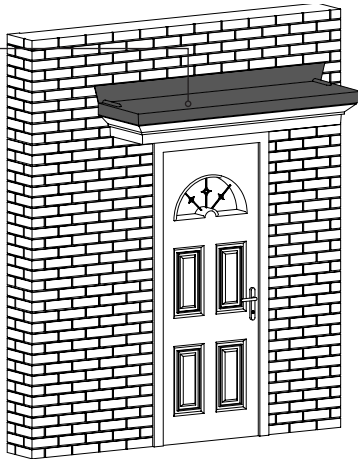
Fix steel brackets to wall at positions shown on Masonry Solutions site specific drawing.

Brackets fixed with 4 Fischer 10-100 SXR-FUS fixings through pre drilled holes



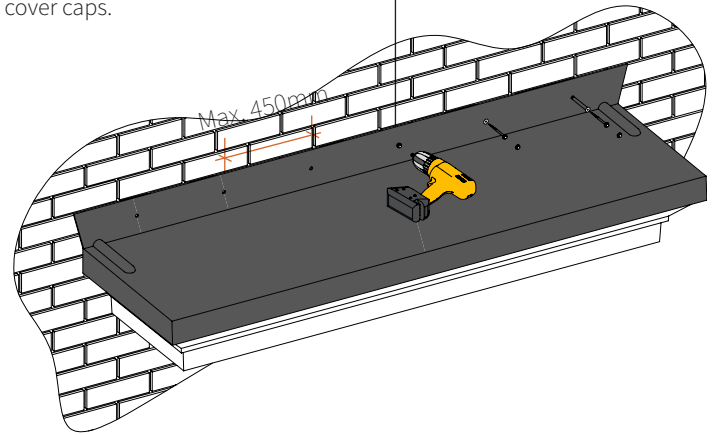
3.2 Fix Brackets

Slide Canopy over brackets



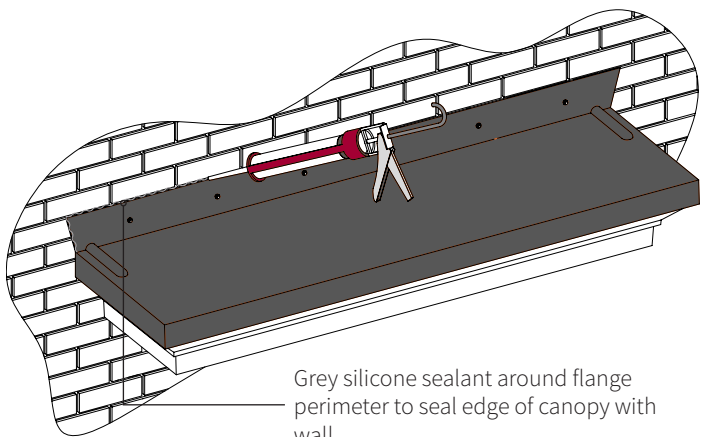
3.3 Position Canopy

Fischer 10-60 SXR-FUS with grey cover caps.



3.4 Fix Canopy

Grey silicone sealant around flange perimeter to seal edge of canopy with wall



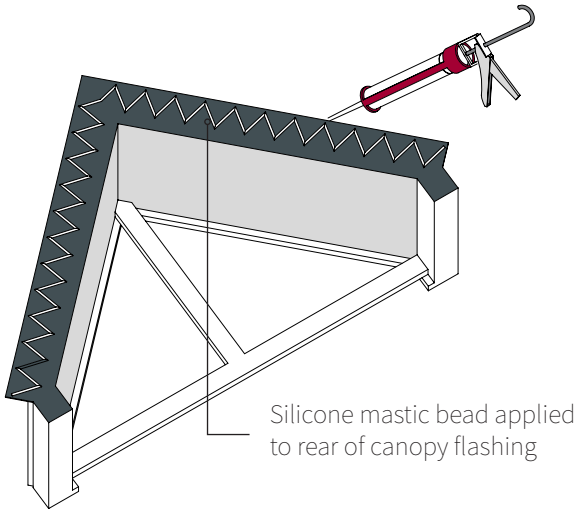
3.5 Making the canopy weather tight



THE DOOR CANOPY MUST BE INSTALLED BY A COMPETENT INSTALLER



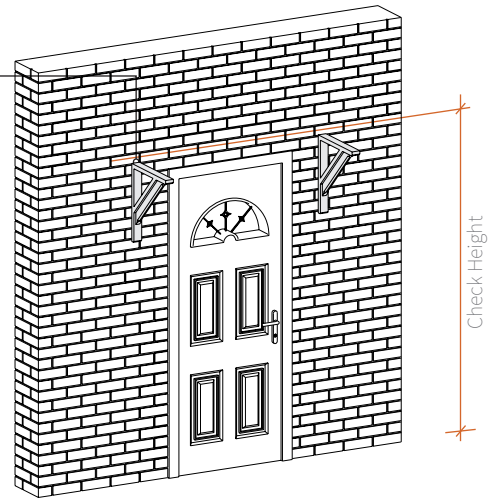
04 Apex Canopy - Tile Effect Roof



Silicone mastic bead applied to rear of canopy flashing

4.1 Prepare Canopy

Fix brackets.
See Section 8.



4.2 Fix Brackets

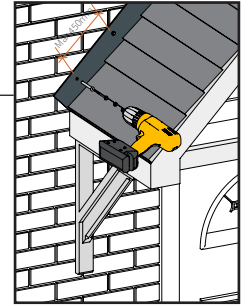
Position Canopy over brackets and ensure central over doorway



4.3 Position Canopy

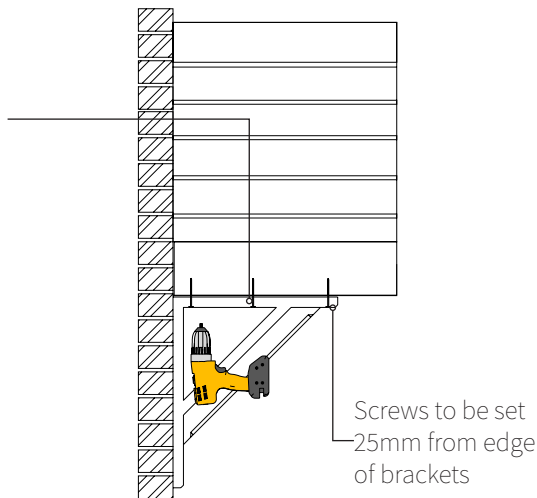


4.4 Fix Canopy



Fischer 10-60 SXR-FUS fixings at Max. 450mm centres through pre drilled holes with grey cover caps

Fix brackets through top chord of bracket with 3 No. equally spaced 80mm wood screws and white caps.



Screws to be set 25mm from edge of brackets

4.5 Fixing Canopy to Brackets



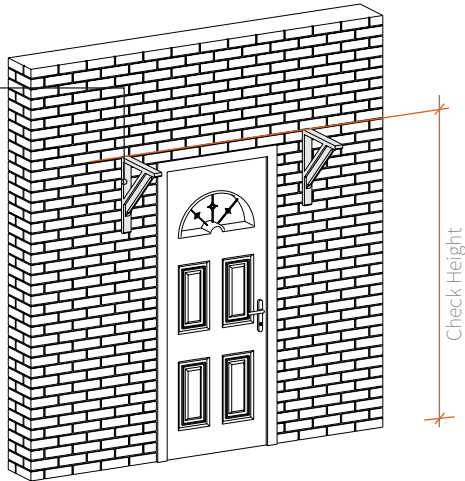
THE DOOR CANOPY MUST BE INSTALLED BY A COMPETENT INSTALLER



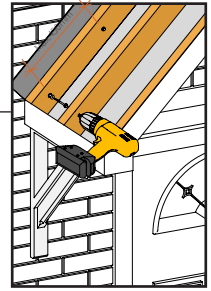
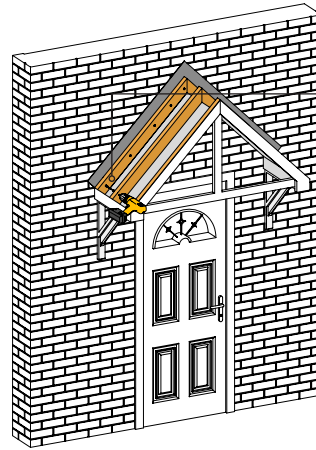
GRP CANOPIES

05 Apex Canopy - Ready To Tile Roof

Fix brackets.
See Section 8.



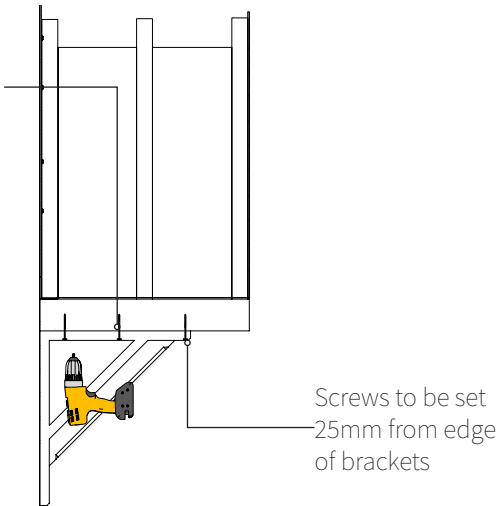
5.1 Fix Brackets



Fischer 10-100
SXR-FUS fixings at
Max. 450mm centres
through pre drilled
holes.

5.2 Position and Fix Canopy

Fix brackets
through top chord
of bracket with
3 No. equally
spaced 80mm
wood screws and
white caps.



5.3 Fix Canopy to Brackets

Lead flashing to
LSA standards

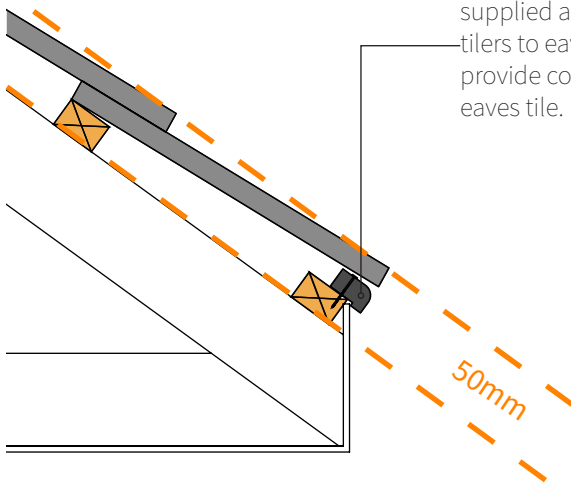
Roof membrane

50x25mm treated
battens fixed to all
trusses in canopy



5.4 Tile Canopy

Over fascia vent
supplied and fitted by
tilers to eaves batten to
provide correct kick of
eaves tile.



5.5 Ensure Eaves Tile Alignment

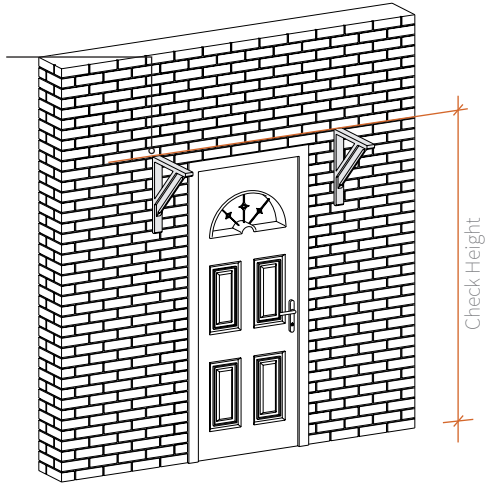


**THE DOOR CANOPY MUST BE
INSTALLED BY A COMPETENT
INSTALLER**

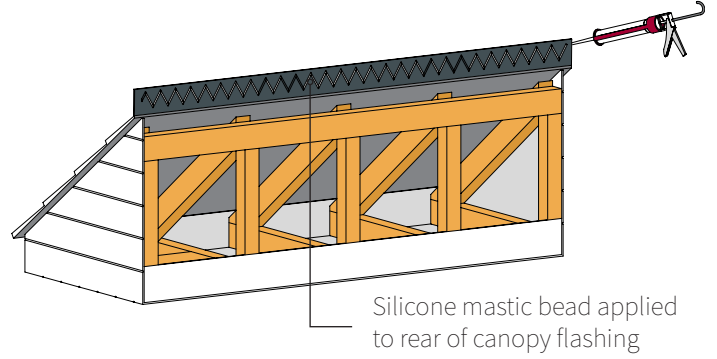


06 Mono Pitch Canopy - Tile Effect Roof

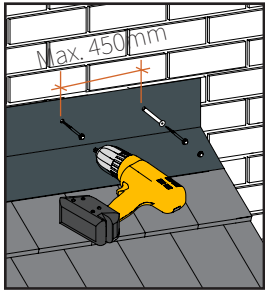
Fix brackets.
See Section 8.



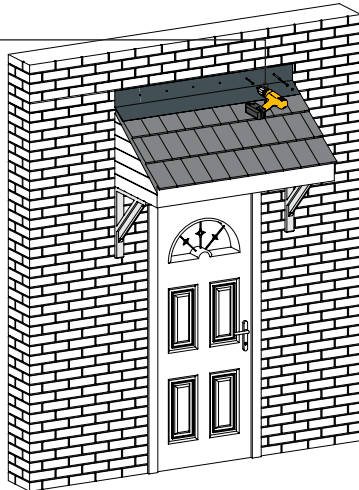
6.1 Fix Brackets



6.2 Prepare Canopy

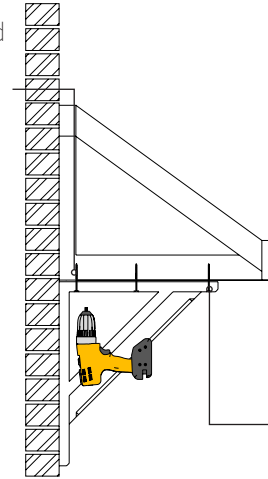


Fischer 10-100 SXR-FUS
fixings at Max. 450mm
centres through pre drilled
holes with grey cover caps



6.3 Fixing Canopy to Wall

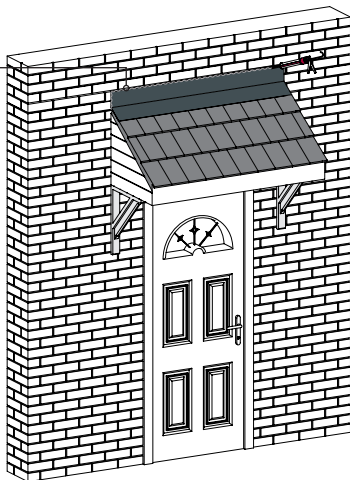
Fix brackets
through top chord
of bracket with
3 No. equally
spaced 80mm
wood screws and
white caps.



Screws to be set
25mm from edge
of brackets

6.4 Fixing Canopy to Brackets

Grey silicone sealant
around flange
perimeter to seal
edge of canopy with
wall



6.5 Finishing Canopy



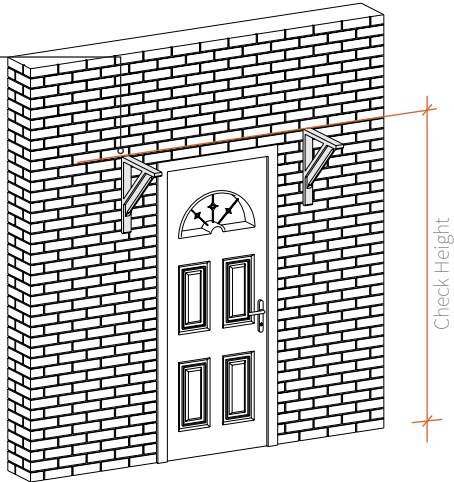
**THE DOOR CANOPY MUST BE
INSTALLED BY A COMPETENT
INSTALLER**



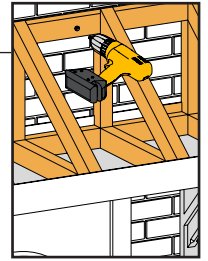
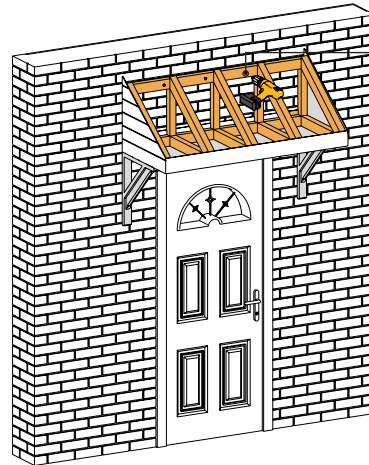
GRP CANOPIES

07 Mono Pitch Canopy - Ready To Tile Roof

Fix brackets.
See Section 8.



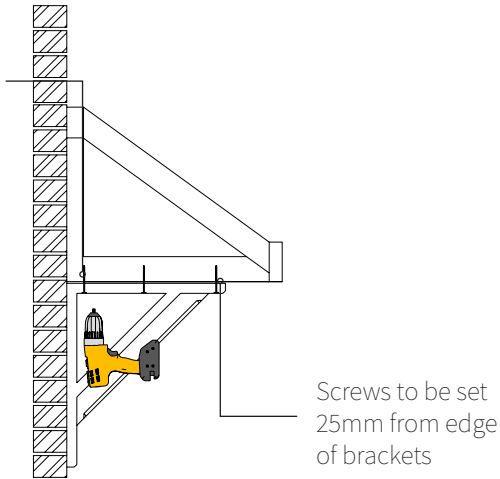
7.1 Fix Brackets



Fischer 10-100
SXR-FUS fixings at
Max. 450mm centres
through pre drilled
holes in timber
bearer.

7.2 Fixing Canopy to Wall

Fix brackets
through top chord
of bracket with
3 No. equally
spaced 80mm
wood screws and
white caps.



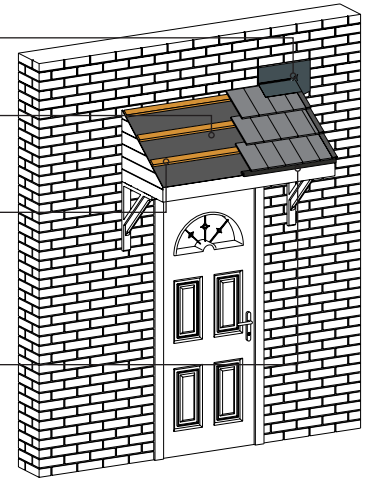
7.3 Fixing Canopy to Brackets

Lead flashing to
LSA standards

Roof membrane

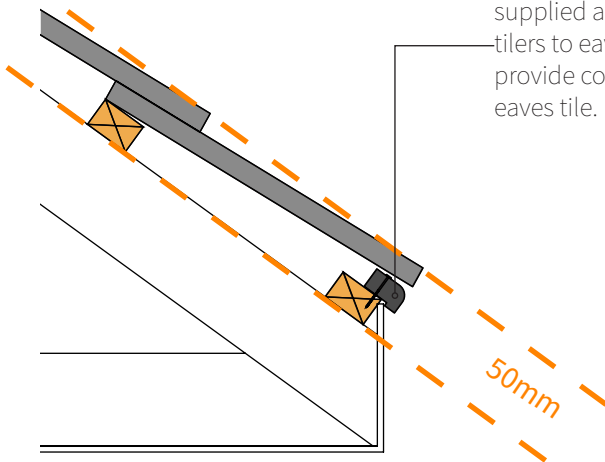
50x25mm treated
battens fixed to all
trusses in canopy

Proprietary eaves
tray (**not provided**)
and vent to prevent
sagging of membrane
and provide correct
up-stand.



7.4 Tile Canopy

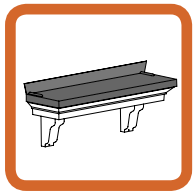
Over fascia vent
supplied and fitted by
tilers to eaves batten to
provide correct kick of
eaves tile.



7.5 Ensure Eaves Tile Alignment



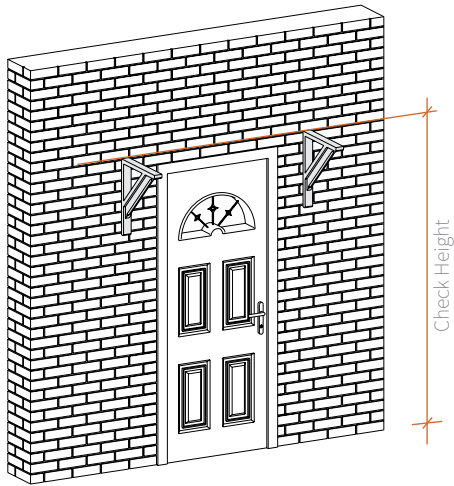
**THE DOOR CANOPY MUST BE
INSTALLED BY A COMPETENT
INSTALLER**



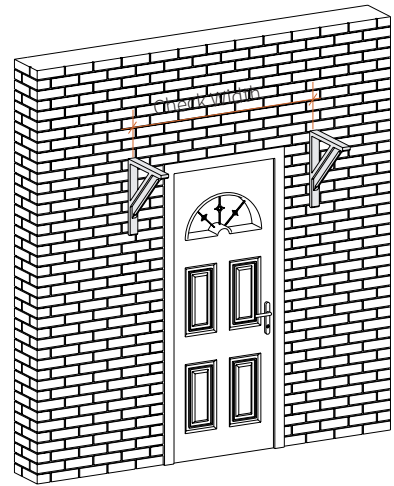
GRP CANOPIES

MS-SG-02 | ISSUE 1
AUGUST 2018

08 Wall Brackets

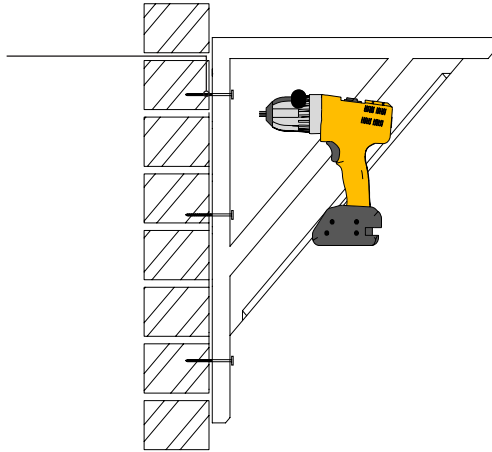


8.1 Confirm Position



8.2 Fixing Canopy to Wall

Fix brackets through side chord of bracket with 3 No. equally spaced 100mm screws into wall plugs.



8.3 Fixing Bracket to Wall



**THE BRACKETS
MUST BE INSTALLED BY A
COMPETENT INSTALLER**