



**PREMIER BUILDING
PRODUCTS Ltd**

PBP STD COPINGS

GUIDE

2021

PREMIERBUILDINGPRODUCTS.CO.UK

+44 (0)1428 654718

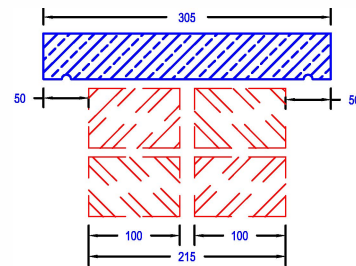
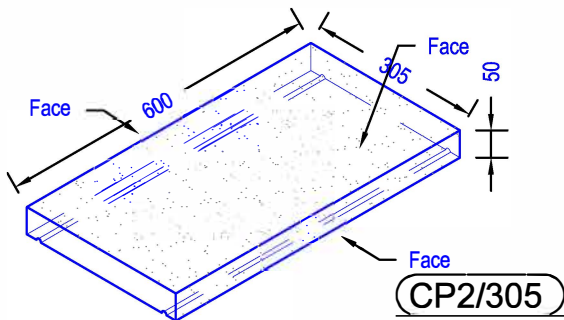
enquiries@pbp.uk.com



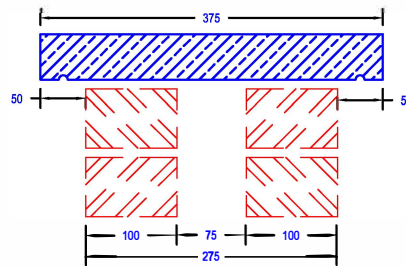
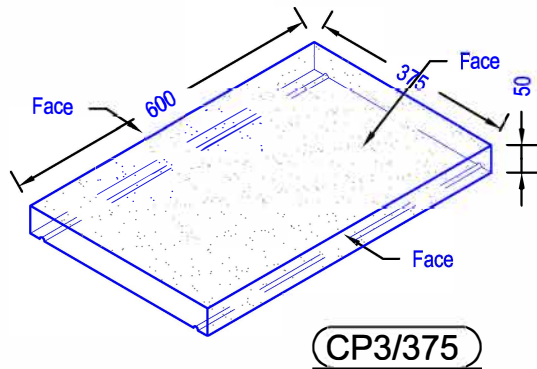
Premier Building Products Ltd
The Gate House, Fernhurst Business
Park, Fernhurst, Haslemere, Surrey GU27
3HB
Tel: 01428 654781 Fax: 01428 661987
www.premierbuildingproducts.co.uk

Standard Coping

Flat Top Coping

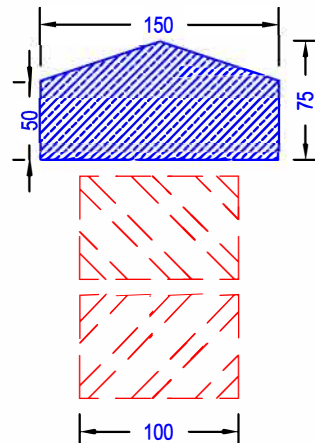
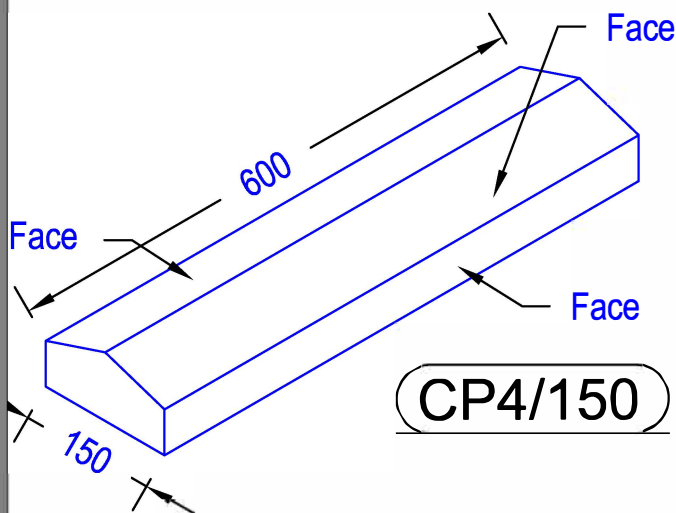


Coping Section to CP2



Coping Section to CP3

Twice Weathered Coping



Coping Section to CP4/150

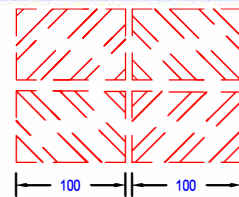
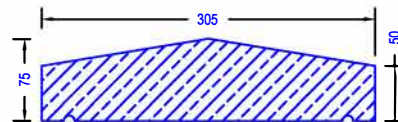
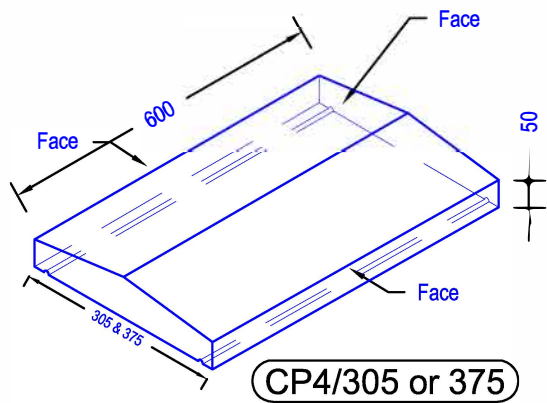
* Other designs can be made to suit customers requirements



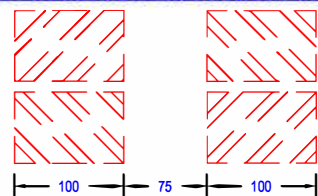
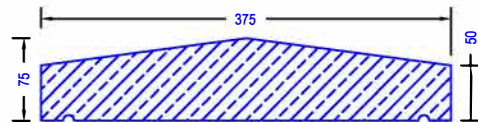
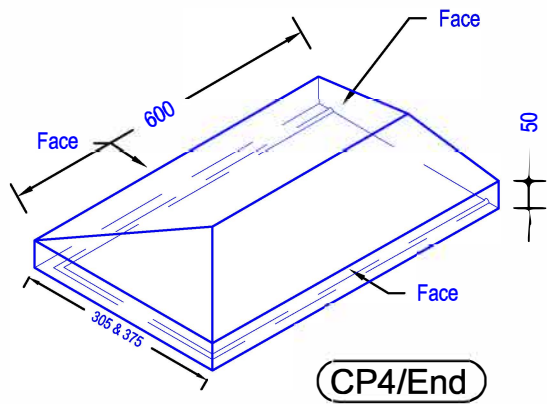
Premier Building Products Ltd
The Gate House, Fernhurst Business
Park, Fernhurst, Haslemere, Surrey GU27
3HB
Tel: 01428 654781 Fax: 01428 661987
www.premierbuildingproducts.co.uk

Standard Coping

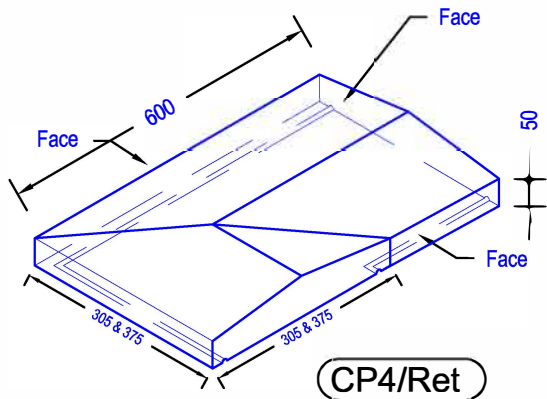
Twice Weathered Coping



Coping Section CP4/305



Coping Section CP4/375



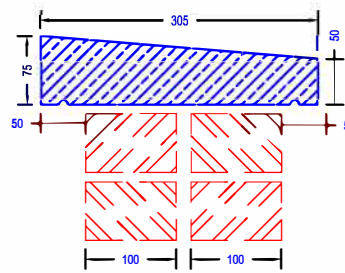
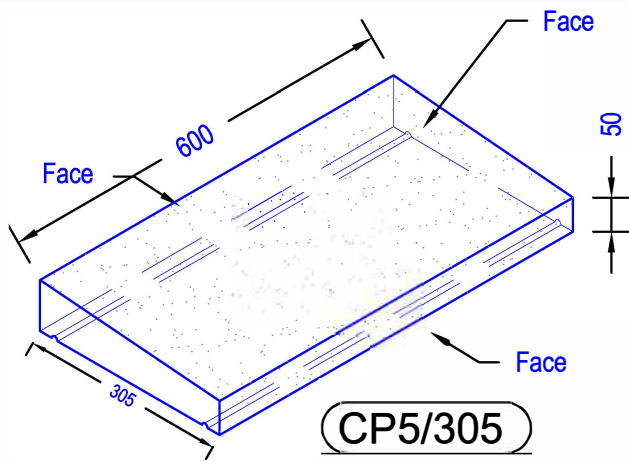
* Other designs can be made to suit customers requirements



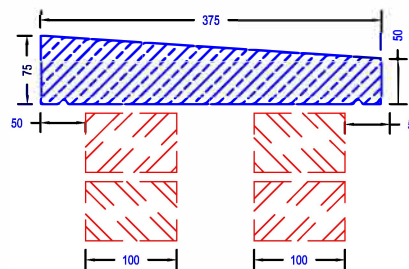
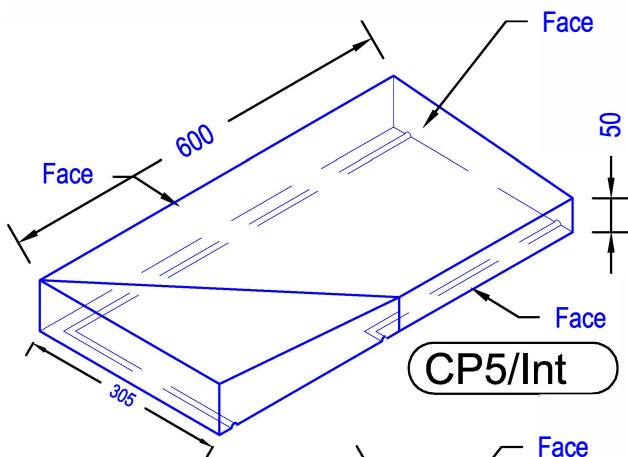
Premier Building Products Ltd
The Gate House, Fernhurst Business
Park, Fernhurst, Haslemere, Surrey GU27
3HB
Tel: 01428 654781 Fax: 01428 661987
www.premierbuildingproducts.co.uk

Standard Coping

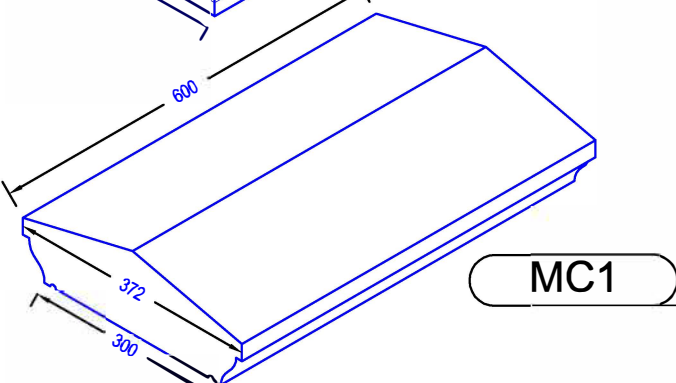
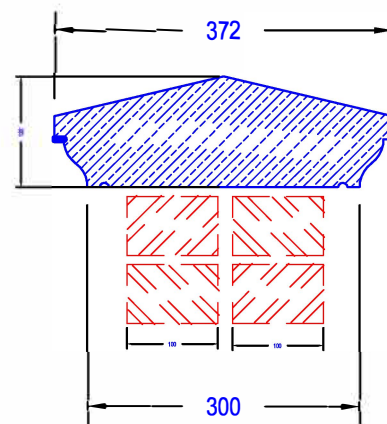
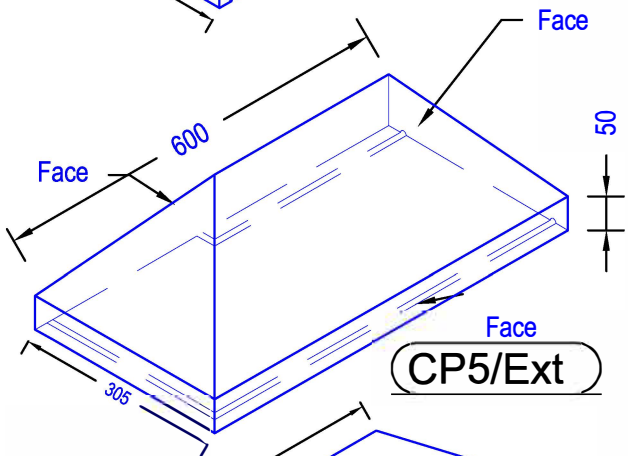
Once Weathered Coping



Coping Section CP5/305



Coping Section CP5/375



Twice Weathered & Moulded Coping

* Other designs can be made to suit customers requirements