



**PREMIER BUILDING PRODUCTS Ltd**

Premier Building Products Ltd

The Gate House, Fernhurst  
Business Park, Fernhurst,  
Haslemere, Surrey GU27 3HB

Tel: 01428 654781 Fax: 01428  
661987

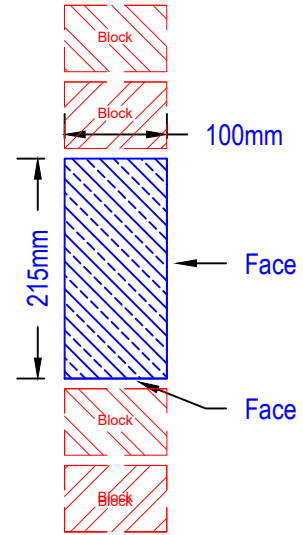
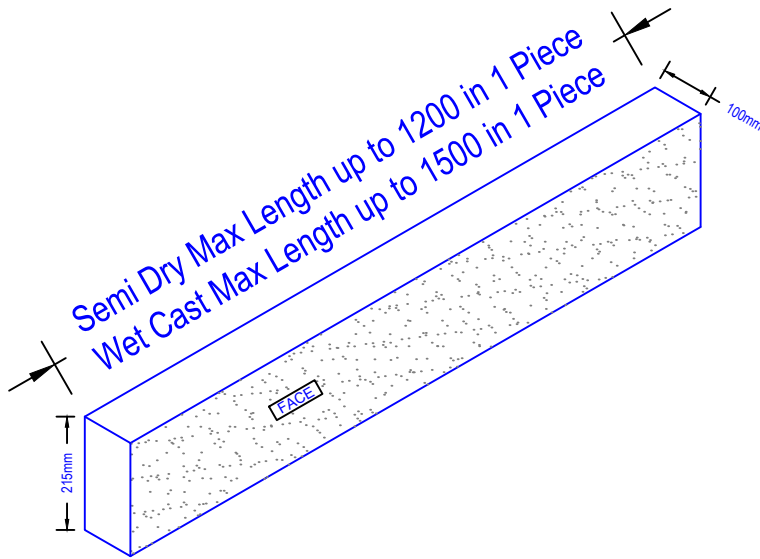
[www.premierbuildingproducts.co.uk](http://www.premierbuildingproducts.co.uk)

### Plain Head

100 x 215mm Ref DH1

Semi Dry Approx Weight 46Kg/Mtr

Wet Cast Approx Weight 51Kg/Mtr



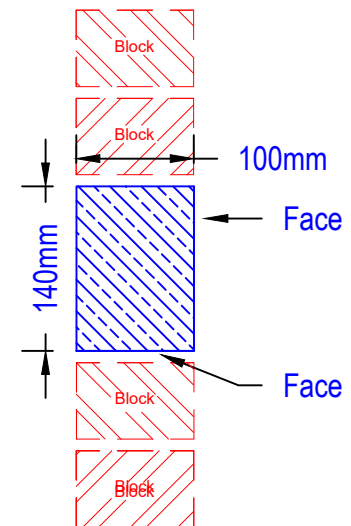
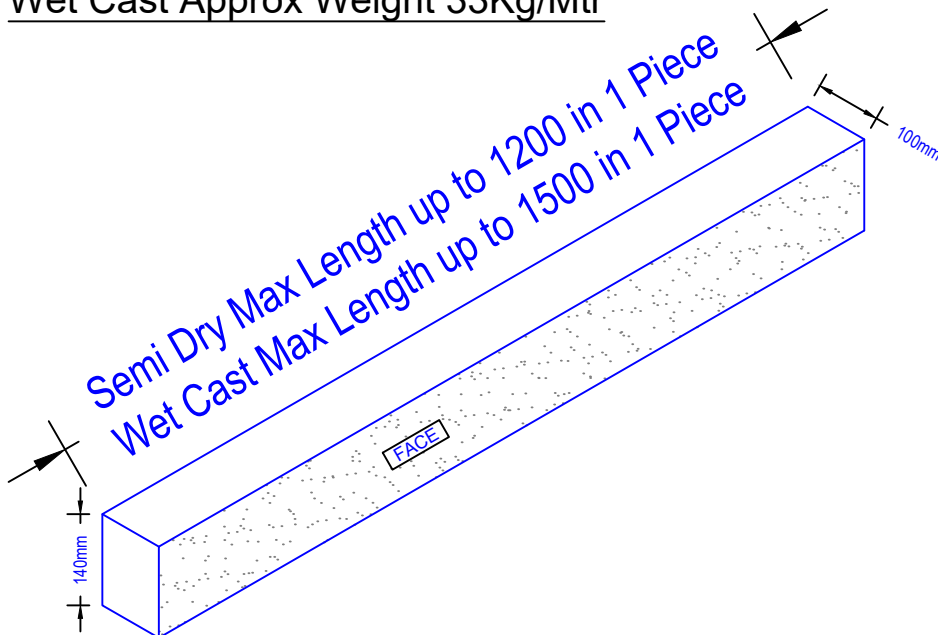
DH1 Head Section

### Plain Head

100 x 140mm Ref DH2

Semi Dry Approx Weight 30Kg/Mtr

Wet Cast Approx Weight 33Kg/Mtr



DH2 Head Section

\* Other designs can be made to suit customers requirements



Premier Building Products Ltd  
 The Gate House, Fernhurst Business  
 Park, Fernhurst, Haslemere, Surrey GU27  
 3HB  
 Tel: 01428 654781 Fax: 01428 661987  
 www.premierbuildingproducts.co.uk

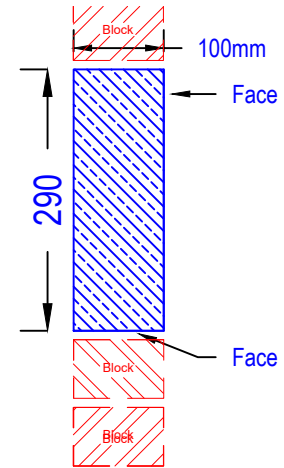
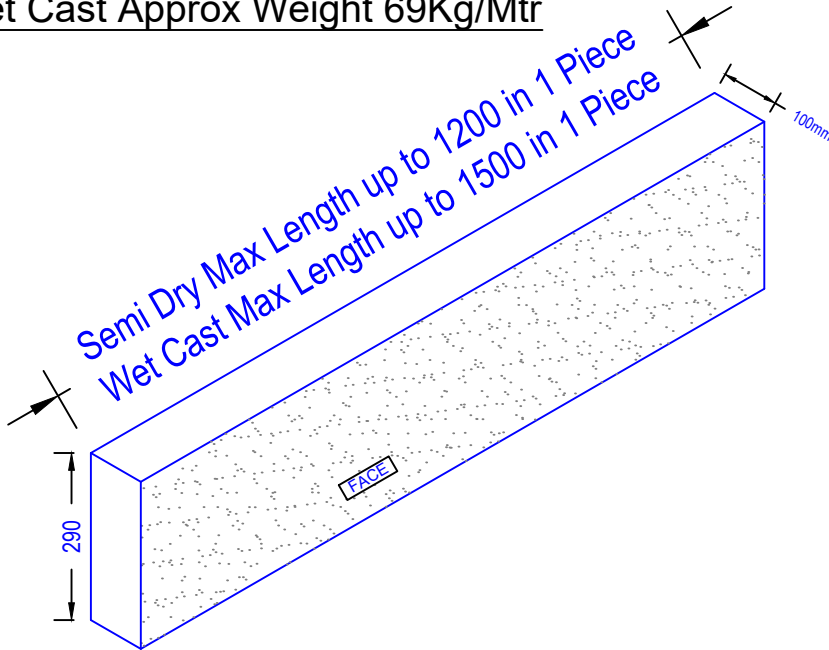
# Plain & Splayed Heads

## Plain Head

100 x 215mm Ref DH3

Semi Dry Approx Weight 61Kg/Mtr

Wet Cast Approx Weight 69Kg/Mtr



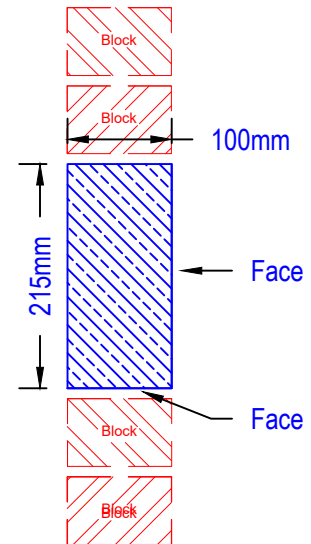
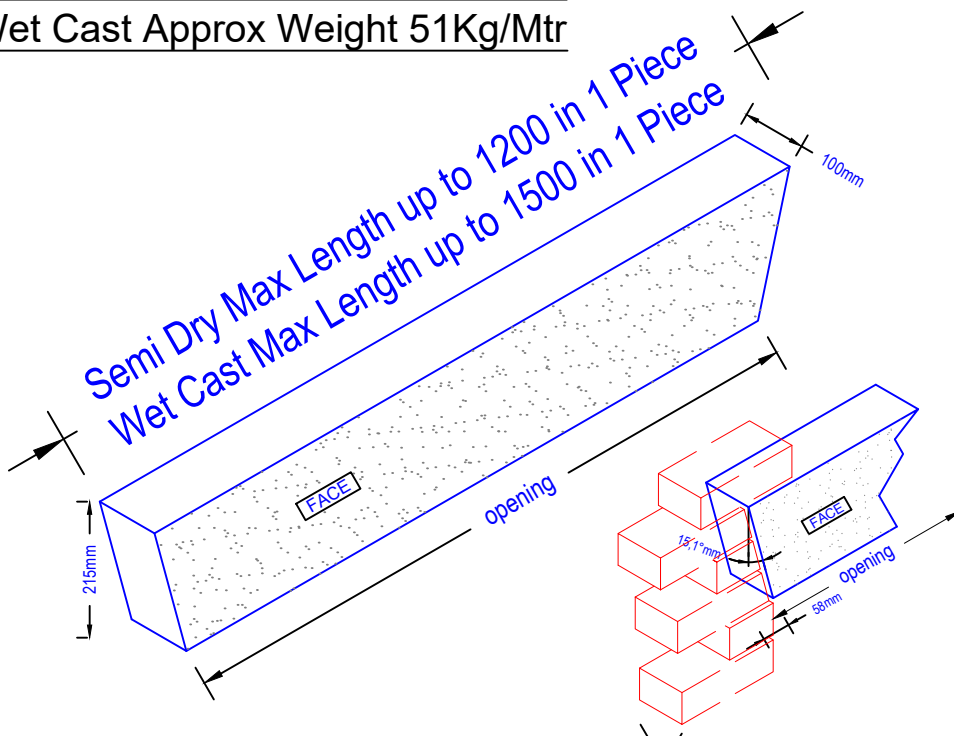
DH3 Head Section

## Splayed End Head

100 x 140mm Ref DH4

Semi Dry Approx Weight 46Kg/Mtr

Wet Cast Approx Weight 51Kg/Mtr



DH4 Head Section

\* Other designs can be made to suit customers requirements



Premier Building Products Ltd

The Gate House, Fernhurst Business Park, Fernhurst, Haslemere, Surrey GU27 3HB

Tel: 01428 654781 Fax: 01428 661987  
www.premierbuildingproducts.co.uk

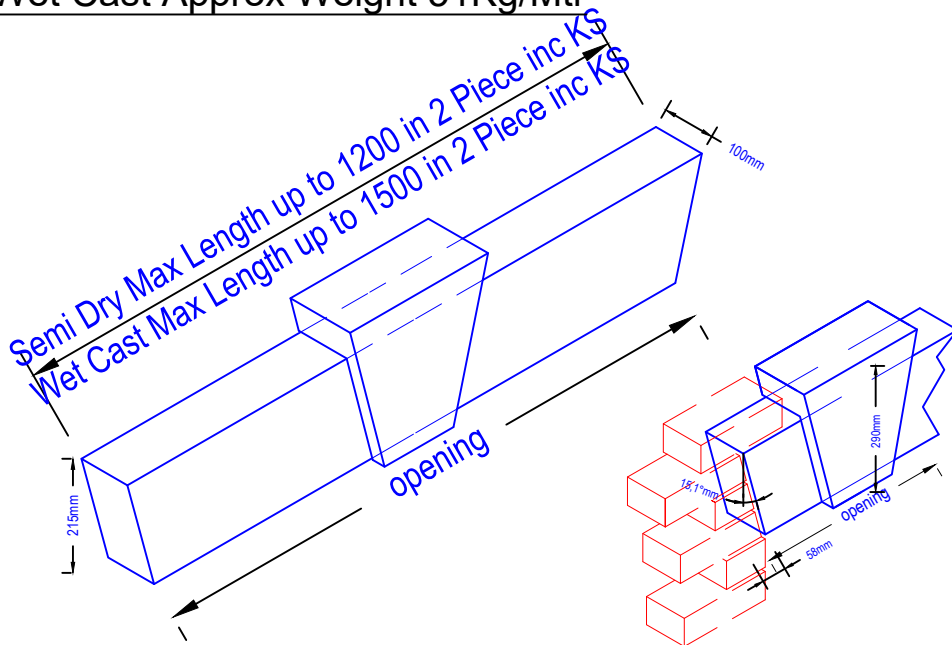
# Clipover Keystone Heads

## Splayed End Keystone Head

100 x 215mm Ref DH5

Semi Dry Approx Weight 46Kg/Mtr

Wet Cast Approx Weight 51Kg/Mtr

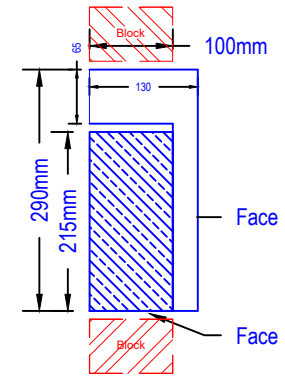
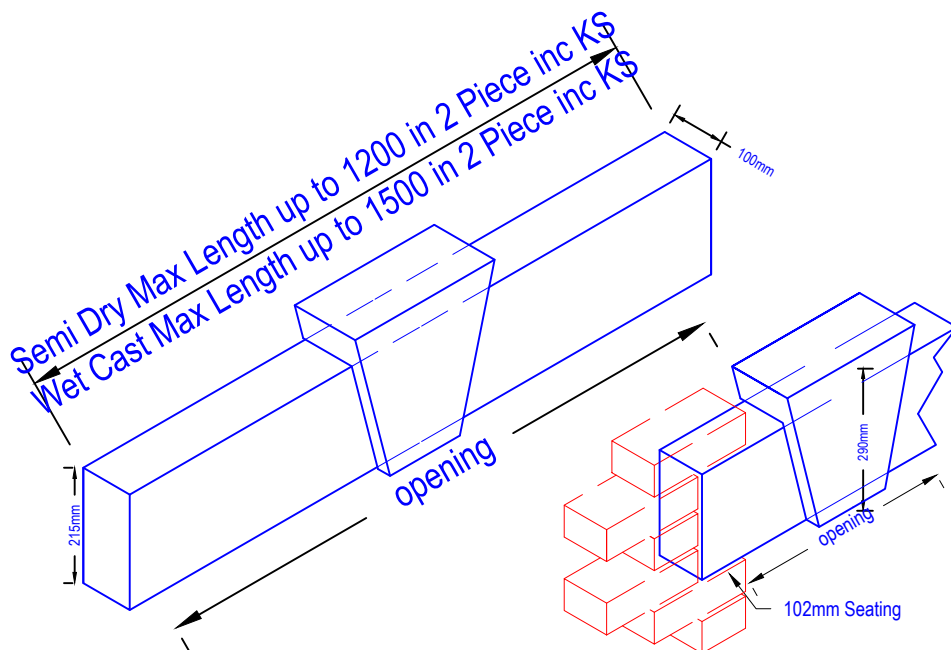


Keystone Head

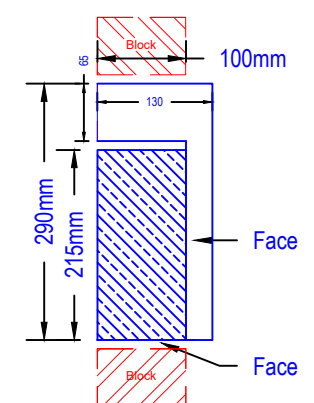
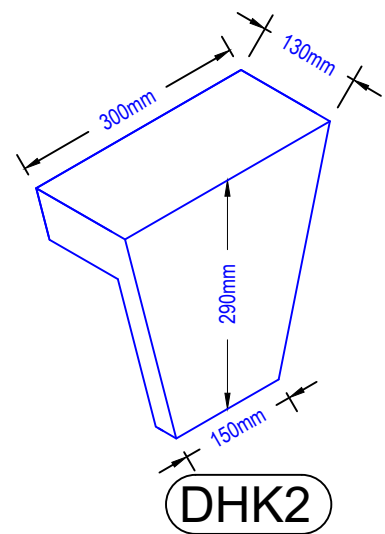
100 x 140mm Ref DH6

Semi Dry Approx Weight 46Kg/Mtr

Wet Cast Approx Weight 51Kg/Mtr



DH5 Head Section With Clipover Keystone



DH6 Head Section With Clipover Keystone

\* Other designs can be made to suit customers requirements



Premier Building Products Ltd

The Gate House, Fernhurst Business  
Park, Fernhurst, Haslemere, Surrey  
GU27 3HB

Tel: 01428 654781 Fax: 01428 661987  
www.premierbuildingproducts.co.uk

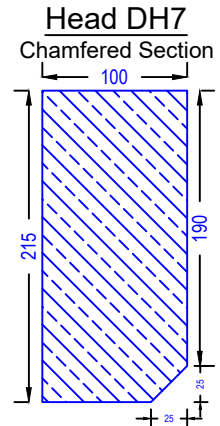
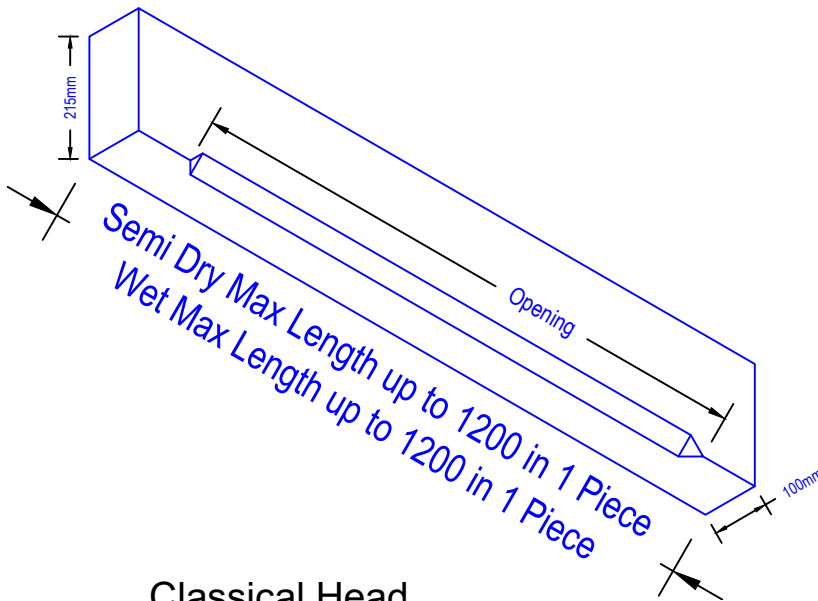
# Chamfered & Classical Heads

## Chamfered Head

100 x 215mm Ref DH7

Semi Dry Approx Weight 46Kg/Mtr

Wet Cast Approx Weight 51Kg/Mtr

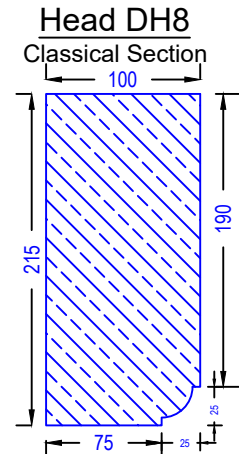
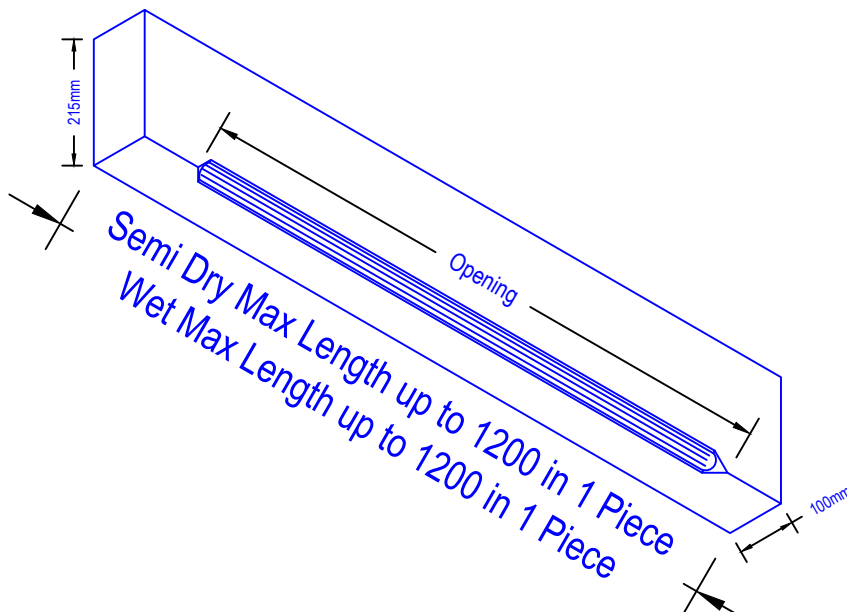


## Classical Head

100 x 215mm Ref DH8

Semi Dry Approx Weight 46Kg/Mtr

Wet Cast Approx Weight 51Kg/Mtr



\* Other designs can be made to suit customers requirements